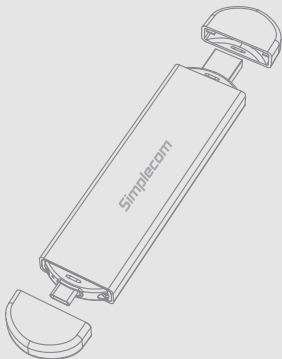


Simplecom[®]

SE522 NVMe / SATA M.2 SSD to USB 3.2 Gen 2 Enclosure

User Manual



Simplify Your Life

www.simplecom.com.au

© Simplecom Australia All Rights Reserved. Simplecom is a registered trademark of Simplecom Australia Pty Ltd. All other trademarks are property of their respective owner. Specifications and external appearance are subject to change without notice. Warranty and technical support covering this product are only valid in the country or region of purchase.



www.simplecom.com.au



support@simplecom.com.au

| About Product

SE522 is a M.2 SSD to dual USB enclosure, with built-in both USB-A and USB-C connectors. Two USB connectors for convenience and ease of use on different computers. Its also easy to carry in your pocket, and no need to worry about losing USB cables.

SE522 supports both NVMe and SATA protocol based M.2 SSD for maximum compatibility, it can easily turns most M.2 SSD into a portable external USB drive.

Featuring a durable lightweight aluminium casing, it looks elegant and professional, USB 3.2 Gen 2 interface for super-fast read and write speed up to 10Gbps. A USB-C extension cable is included for ease of use in tight spaces also to protect the USB-C port on your computer.

| Package Contents

SE522 Enclosure	1Pcs
USB-C Male to USB-C Female Extension Cable	1Pcs
Screw driver	1Pcs
Standoff and Screw Set	1Set

| Features

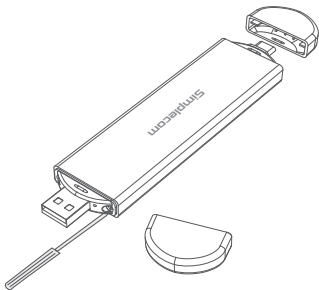
- Built-in USB-A and USB-C dual connector
- Convert M.2 SSD (M Key or B+M Key) to a USB portable drive
- Dual protocol support for both NVMe and SATA M.2 SSD
- Premium aluminium exterior with small, portable design
- USB 3.2 Gen 2 interface up to 10Gbps transfer rate
- USB-A port is backward compatible with USB 3.1, 3.0 and 2.0
- USB-C extension cable is included for ease of use in tight spaces
- Plug and play, no drivers required
- LED indicator for power and activity status

| Specifications

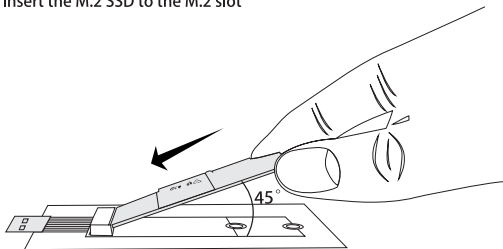
- Model: SE522
- Connector: USB-C, USB-A
- Interface: USB 3.2 Gen 2 10Gbps
- Material: Aluminium + ABS
- Compatible M.2 Protocol: NVMe M.2, SATA M.2
- Compatible M.2 Size: 2230, 2242, 2260, 2280
- Weight: 43g
- Dimension: 140x30x9mm (LxWxH)
- Operating System: Windows 7 and above, MacOS 10.5 and above

| Installation

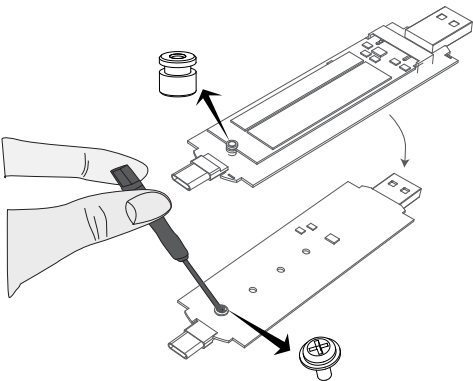
1. Unscrew plastic bracket on the USB-A port and slide out the PCB



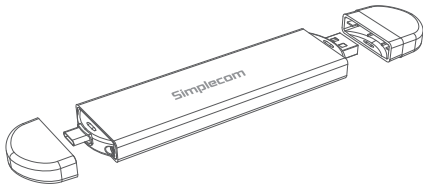
2. Insert the M.2 SSD to the M.2 slot



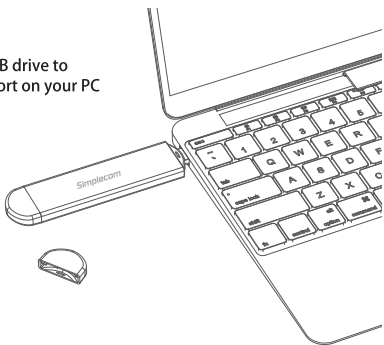
3. Place the standoff on the end of SSD, then fasten the standoff with screw on the back of the PCB



4. Slide the PCB back into the case and fasten by 2 screws



5. Connect the USB drive to USB-A or USB-C port on your PC



| Note

- SE522 supports both NVMe and SATA based M.2 SSD (M Key or B+M Key), bandwidth will be limited to 6Gbps when using SATA M.2 SSD, as maximum transfer rate of SATA M.2 SSD is 6Gbps
- 10Gbps data transfer rate is only for USB3.2 Gen2 enabled computer (also known as USB3.1 Gen2)
- For new SSD, you need to go into the disk management and initialize the SSD
- Due to high speed of NVMe M.2 SSD, the temperature is higher than traditional USB hard drive, NVMe M.2 SSD is designed to work stably at 60-70 degree in heavy workload

| Safely Disconnect

Windows: Double-click on the Safely Remove icon in your Windows System Tray. This will launch the Safely Remove program. Then click on the device you wish to remove and click on the Stop button.

Mac: In Mac OS the drive appears as an icon on the desktop. Before unplugging the drive, it needs to be dismounted by dragging the drive to the Trash Can, once the activity light has gone out, you can safely remove the drive.

| Warranty

This product includes one (1) year repair/replacement warranty provide by Simplecom Australia. This warranty is non-transferable and is limited to the original purchaser.

Our goods come with guarantees that cannot be excluded under the Australian Consumer Law. You are entitled to a replacement or refund for a major failure and for compensation for any other reasonably foreseeable loss or damage. You are also entitled to have the goods repaired or replaced if the goods fail to be of acceptable quality and the failure does not amount to a major failure.

For our assistance with regards to warranty please email to support@simplecom.com.au or create a support ticket at <http://www.simplecom.com.au>