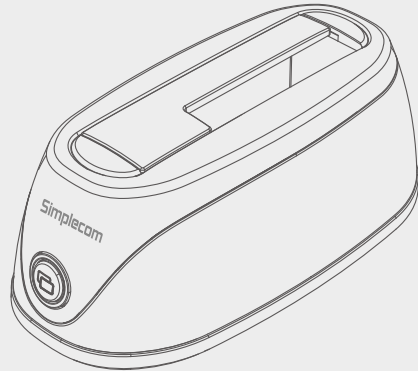




## SD336 USB 3.0 Docking Station for 2.5" & 3.5" SATA Drive with RGB Lighting

### User Manual



[www.simplecom.com.au](http://www.simplecom.com.au)

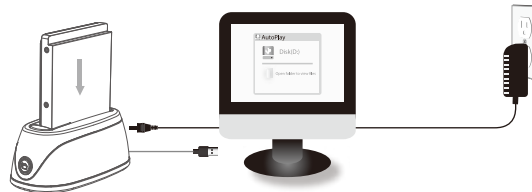
## Introduction

SD336 is a single bay SATA docking station designed to support one 2.5" or 3.5" SATA drive. It provides a simple, fast and efficient way to access your desktop or laptop SATA drives. By inserting the SATA drive directly into this docking station, you can quickly access contents on the SATA drive and transfer files from your computer. With USB 3.2 Gen 1 (formerly known as USB 3.0) interface, you can take advantage of super speed data transfer rate up to 5Gbps. Built-in OTB (one touch backup) button lets you easily backup your important files.

Stunning and attractive visual effect for your desk, SD336 is equipped with RGB LED lighting base with multi-color changing effect, ideal for desktop PC with RGB lighting, to match the exterior of the PC case.

## Installation

1. Connect the power adapter to the Hard Drive Dock
2. Connect the USB 3.0 Cable to Computer USB port
3. Insert 2.5" or 3.5" SATA Drive into the SATA slot
4. Switch on the Hard Drive Dock and it is ready to use



## Features

- Compatible with 3.5 inch or 2.5 inch SATA HDD/SSD
- USB 3.2 Gen 1 (USB 3.0) Interface, transfer rates up to 5Gbps
- Backwards compatible with USB 2.0, transfer rates up to 480Mbps
- Attractive LED lighting base with multi-color breathing effect
- Hot-swappable, plug and play, no drivers needed
- Support UASP (USB Attached SCSI Protocol)
- Auto sleep function after 10 minutes of inactivity
- Support one touch backup for Windows system, front OTB button

## Specifications

- Model: SD336
- Interface: USB 3.2 Gen 1 (USB 3.0)
- Transfer Rate: up to 5Gbps
- Material: ABS Plastic
- SATA Slots Support: one 2.5" or 3.5" SATA HDD or SSD
- DC Input: 12V2A
- Dimension: 160x84x65mm (LxWxH)
- Operating System Support: Windows XP and above, Mac OS 10.4 and above

## Package Contents

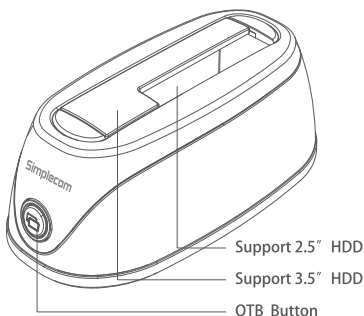
- 1x USB 3.0 SATA Docking Station
- 1x USB 3.0 Cable
- 1x 12V2A Power Adapter
- 1x User Manual

## System Requirement

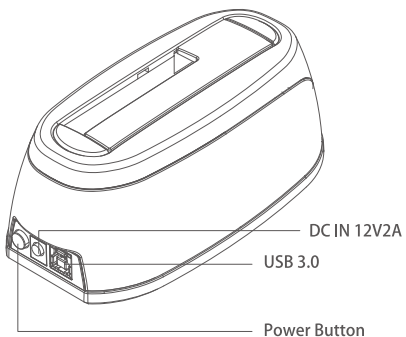
- Available USB 3.0 for Superspeed data transfer
- Operating Systems: Windows XP and above (32/64-bit), Mac OS X10.4 and above, Linux

## Product

### Front

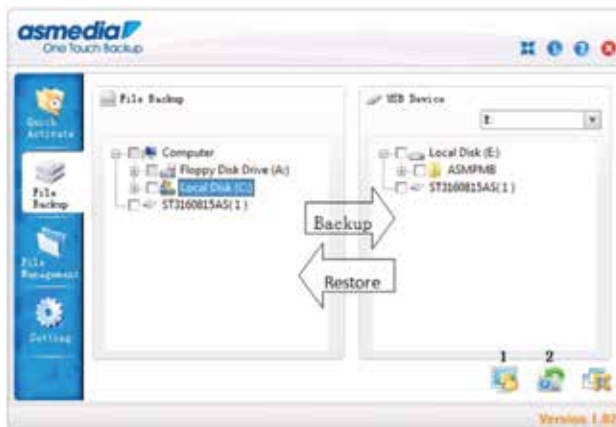


### Back



## OTB (One Touch Backup)

- You need to install the OTB software (Asmedia One Touch Backup) if you want to use the OTB button in front of the docking.
- You can download the OTB software from [www.simplecom.com.au](http://www.simplecom.com.au), search SD336 and go to product page, the download link is under **DOWNLOAD** tab on product page.
- Please note the software is for OTB button only, you don't have to install it if you don't need OTB function.
- After installed the OTB software, please go to "File Backup" to set the backup source and destination.
- For more information about OTB function, please read help file "ASM\_OTB\_HELP\_ENG.chm" comes with OTB software.



## Note

- A new hard drive needs to be initialized and partitioned before appear in Windows Explorer or Mac Desktop.
- Do not remove the hard drive while it is in use. Doing so may corrupt the data on the hard drive or cause damaged to the hardware.
- Simplecom takes diligent care of all goods, however Simplecom will not be responsible for any loss of data, and that it is the responsibility of the customer to backup any data that he/she believes to be important, valuable, or irreplaceable.

## Warranty

1 Year limited Warranty. Our goods come with guarantees that cannot be excluded under the Australian Consumer Law. You are entitled to a replacement or refund for a major failure and for compensation for any other reasonably foreseeable loss or damage. You are also entitled to have the goods repaired or replaced if the goods fail to be of acceptable quality and the failure does not amount to a major failure. For our assistance with regards to warranty please email to [support@simplecom.com.au](mailto:support@simplecom.com.au) or create a support ticket at <http://www.simplecom.com.au>

© Simplecom Australia All Rights Reserved. Simplecom is a registered trademark of Simplecom Australia Pty Ltd. All other trademarks are property of their respective owner. Specifications and external appearance are subject to change without notice. Warranty and technical support covering this product are only valid in the country or region of purchase.