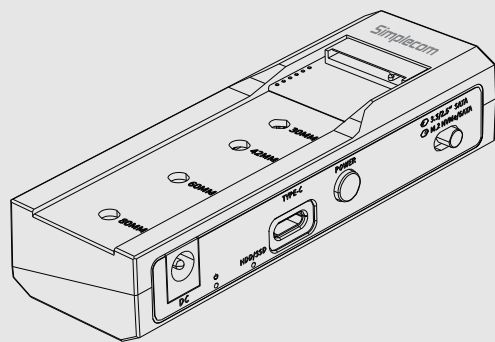




SA536 USB to M.2 and SATA 2-IN-1 Adapter

SA536

User Manual



WWW.SIMPLECOM.COM.AU

About Product

SA536 is a 2-IN-1 USB adapter with SATA and M.2 sockets. This dual slot adapter is an all in one solution for most common storage drives, SATA socket supports 2.5" and 3.5" SATA HDD or SSD, M.2 socket supports both NVMe and SATA protocol based M.2 SSDs. With the toggle switch, you can quickly select between SATA and M.2 modes.

Plug and play and easy to use, this adapter lets you easily access and swap SATA or M.2 drives without having to install your drives into an enclosure or PC tower. USB 3.2 Gen 2 interface for super-fast read and write speed up to 10Gbps.

No need to worry about which type of SATA or M.2 drive you have, this adapter can convert any SATA or M.2 drive to USB for easy access on your computer. Perfect for fast access of all types of SATA HDDs and M.2 SSDs, and can be used for data migration, data backup and more.

This adapter comes with an external power supply, which enables the adapter to power and access desktop 3.5" SATA hard drive, and no external power needed for 2.5" SATA drive and M.2 SSD.

Package Contents

- 1x USB to SATA and M.2 Adapter
- 1x AC Power Adapter
- 1x USB-C to USB-A Cable
- 1x USB-C to USB-C Cable
- Rubber Standoff for M.2 SSD
- User Manual

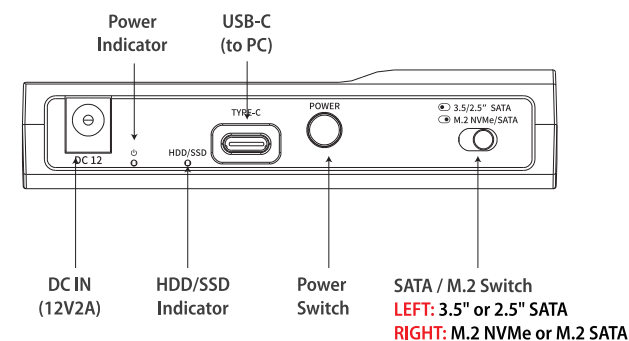
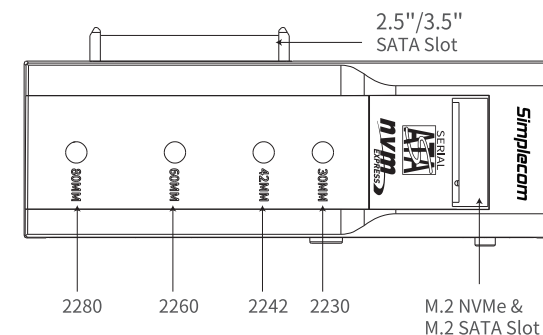
Features

- 2-IN-1 USB adapter with SATA and M.2 sockets
- Supports NVMe and SATA M.2 SSD
- Supports 2.5" and 3.5" SATA HDD/SDD with SATA I/II/III interface
- Toggle button to quickly switch between SATA and M.2
- USB 3.2 Gen2 interface support up to 10Gbps data transfer rate
- Plug and play, no driver required
- Supports USAP for faster data transfer speed and maximum performance
- Supports TRIM command for improved data writing to extend SSD life
- With external power adapter for 3.5" hard drives
- LED light indicates Power and Activity status

Specifications

- Model: SA536
- Interface: USB-C (USB 3.2 Gen 2)
- Transfer Rate: up to 10Gbps
- NVMe Slot Support: NVMe or SATA M.2 SSD (2230 / 2242 / 2260 / 2280)
- SATA Slot Support: 3.5" or 2.5" SATA HDD/SSD
- Main material: ABS Plastic
- Power Input: DC 12V2A
- Dimensions: 108 x 44 x 24mm (LxWxH)
- Weight: 49g (without power adapter)
- Operating Systems: Windows 7 and above, Mac OS 10.8 and above

Interface



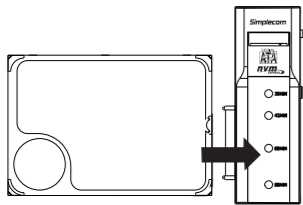
DO NOT SWITCH WHEN POWER ON

You must power off the adapter before switch to SATA or M.2 mode

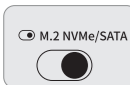
Installation



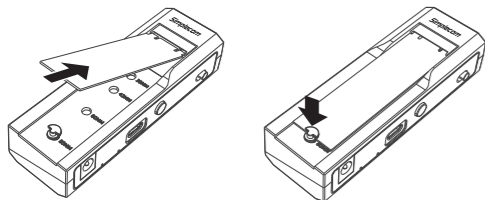
SATA Mode: For 3.5" or 2.5" SATA Drive
Switch to **LEFT**



1. Insert SATA drive to the SATA port on adapter, please note external power is not required for 2.5" SATA drive, it can be powered by USB.
2. For 3.5" HDD, please connect USB cable before connecting power cable.



M.2 Mode: For NVMe or SATA M.2 SSD
Switch to **RIGHT**

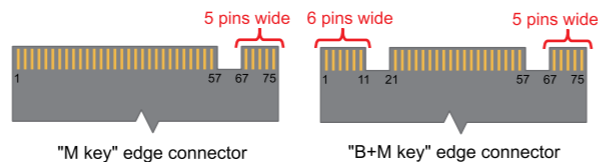


1. Insert M.2 SSD to the M.2 socket at 45 degrees.
2. Plug the M.2 SSD into the socket firmly, then use the rubber standoff to secure the M.2 SSD.
3. External power is not required for M.2 SSD, it can be powered by USB.

Compatibility

SATA slot supports 2.5" SATA HDD/SSD and 3.5" desktop SATA HDD, normally external power is not required when using 2.5" SATA drive, as most USB ports on computer can provide sufficient power to 2.5" SATA drive. For 3.5" HDD, you must connect the power adapter, please connect USB cable first before connecting power adapter.

M.2 slot supports both NVMe and SATA protocol based M.2 SSD (M Key or B+M Key), bandwidth will be limited to 6Gbps when using SATA M.2 SSD, as maximum transfer rate of SATA protocol is 6Gbps.



DO NOT HOT-SWAP M.2 SSD

This adapter doesn't support hot-swap M.2. Please power off the adapter prior to plug or unplug SSD

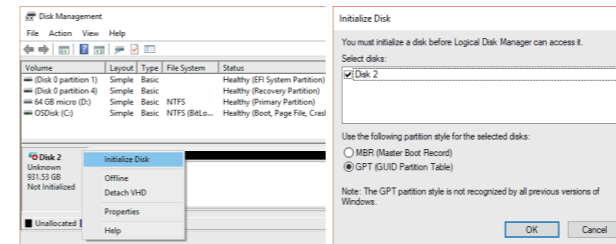


BEWARE HOT SURFACE

Do not touch the SSD during operation, SSD temperature can reach up to 70°C during operation

Partition and Formatting

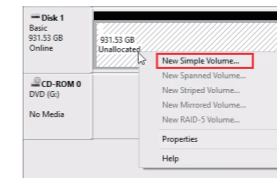
You need to initialize new disk in Disk Management if a new SSD or HDD installed. To do so, in the search box on the taskbar, type **Disk Management**. You can also search **Computer Management** instead, and then go to **Storage > Disk Management**.



In Disk Management, right-click the disk you want to initialize, and then click **Initialize Disk** (shown above). If the disk is listed as **Offline**, first right-click it and select **Online**. Choose **GPT partition** style then click OK. GPT is more robust and allows for volumes bigger than 2 TB. The older Master Boot Record (MBR) disk type is used by older 32-bit PCs.

Format New Drive

1. Select and right-click the unallocated space on the drive, then select **New Simple Volume**.
2. Select **Next**, specify the size of the volume (you'll likely want to stick with the default, which uses the whole drive), and then select **Next**.
3. Specify the drive letter you want to assign and then select **Next**.
4. Specify the file system you want to use, select **Next**, and then **Finish**.



Safely Disconnect

Windows: Look for the Safely Remove Hardware icon on the taskbar (right side system tray area). If you don't see it, select Show hidden icons. Click the icon and select the hardware you want to eject.

Mac: In Mac OS the drive appears as an icon on the desktop. Before unplugging the drive, it needs to be dismounted by dragging the drive to the Trash Can, once the activity light has gone out, you can safely remove the drive.

Warranty

1 Year limited Warranty. Our goods come with guarantees that cannot be excluded under the Australian Consumer Law. You are entitled to a replacement or refund for a major failure and for compensation for any other reasonably foreseeable loss or damage. You are also entitled to have the goods repaired or replaced if the goods fail to be of acceptable quality and the failure does not amount to a major failure. For our assistance with regards to warranty please email to support@simplecom.com.au or create a support ticket at <http://www.simplecom.com.au>

© Simplecom Australia All Rights Reserved. Simplecom is a registered trademark of Simplecom Australia Pty Ltd. All other trademarks are property of their respective owner. Specifications and external appearance are subject to change without notice. Warranty and technical support covering this product are only valid in the country or region of purchase.