



## CHU810 10-Port USB 3.0 Hub with 48W Charger

CHU810

User Manual

*Simplify Your Life*

[www.simplecom.com.au](http://www.simplecom.com.au)

### About Product

This 10-Port USB 3.0 data hub and charger allows you to expand your computer's USB connectivity and charge your mobile devices simultaneously. Quickly expand an available USB 3.0 port into 10 USB 3.0 ports by plugging this hub into the computer's unused USB port, you can instantly add up to 10 USB devices easily.

Total 48W power lets you plug more power consuming USB devices, and charge your phones, tablets or other devices at the same time. Four BC 1.2 fast charging ports that auto optimize current up to 1.5A per port. It features USB 3.0 SuperSpeed transfer rate and backwards compatible with USB 2.0 and 1.1. Plus, each port has its own separate power switch so you can control each port independently without unplugging the equipment.

### Specifications

- Part Number: CHU810
- EAN: 9350414002918
- Model Number: TDX48-1204000A
- Casing Material: Aluminium
- Input: USB 3.2 Gen 1 Type A (USB 3.0)
- Outputs: USB 3.2 Gen 1 Type A (USB 3.0) x10
- Data Rate: SuperSpeed 5Gbps, backward compatible
- Power Input: 100-240V, 50/60hz
- Total Power Output: 48W (12V4A)
- USB Power Output: up to 0.9A each port (6x Blue USB Port), up to 1.5A each port (4x Red USB Ports)
- Fast Charging Protocol: BC 1.2 on 4x Red USB Ports

### Features

- 10-Port USB 3.0 Hub for PC and Laptop with 48W power adapter
- USB 3.2 Gen 1(USB 3.0) SuperSpeed Data Transfer Rate up to 5Gbps
- 48W power lets you charge phones, tablets or other devices simultaneously
- Four BC 1.2 fast charging ports that optimize current up to 1.5A per port
- Equipped with 10 individual on/off switches to control each USB port
- Aluminium shell for sleek looking and optimal heat dissipation
- Individual blue LEDs to display the power status of each USB port
- Plug and play, no additional driver required
- Backward Compatible with USB 2.0 and 1.1
- Support more high power consuming devices at the same time
- Short-circuit, over-current, over-voltage, and over-heating protection
- Supports Windows XP and above (32/64-bit), MacOS 10.2 and above

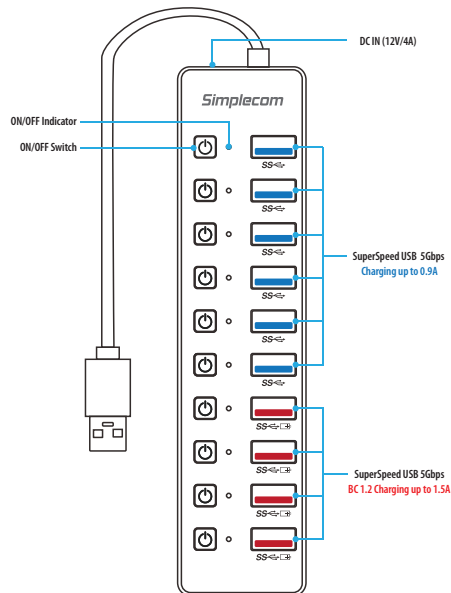
### Safety Information

- Read the operating manual prior to use
- Keep the device away from humidity, liquid, vapour and dust
- Disconnect all immediately if device get wet by the rain or water
- Keep small parts and accessories away from children
- Keep away from external heating up components
- Do not attempt to modify the device
- Make sure there is no residual moisture after cleaning

### Package Contents

- 1x CHU810 10 Port USB 3.0 Hub
- 1x 12V4A Power Adapter

### Overview



### FAQ

#### What's the difference between Blue USB Ports and Red USB Ports?

Both colour USB ports have same data transferring speed up to 5Gbps, however Red USB ports with BC 1.2 support that can supply up to 1.5A power.

- **Blue** USB ports are standard USB 3.0 that is capable of delivering up to 0.9 of current
- **Red** USB ports are USB 3.0 with BC 1.2 that is capable of delivering up to 1.5 of current

#### What is BC 1.2?

BC 1.2 is an abbreviation for Battery Charging revision 1.2. BC 1.2 is an extension of USB 3.0 to make it capable to charge mobile devices with more than the standard 0.9A. At BC 1.2 the current is output 1.5A instead of the standard 0.9A of USB 3.0 when connected to a PC.

#### Does this hub work on previous versions of USB host port?

Yes, this hub is backwards compatible. Also, USB 3.2 Gen 1 is the standard previously known as USB 3.0 or USB 3.1 Gen 1.

#### Can I use it as stand-alone USB charger without connecting to PC?

Yes, you can use it with a computer or as a stand-alone USB charger. It will enable data transfer function while connected to a PC.

#### Can I plug it to computer without power adapter connected?

Yes, but the USB host port on PC only can supply up to 900mA power to the hub, you can only use lower power or external powered USB devices, such as keyboard, mouse, pen drive, USB card reader, printer.

#### Can I use this hub for data transfer and charging at the same time?

Yes, this hub is designed for both data transfer and charging, you can access data from connected USB devices, while charging your mobile device at the same time.

### Warranty

1 Year limited Warranty. Our goods come with guarantees that cannot be excluded under the Australian Consumer Law. You are entitled to a replacement or refund for a major failure and for compensation for any other reasonably foreseeable loss or damage. You are also entitled to have the goods repaired or replaced if the goods fail to be of acceptable quality and the failure does not amount to a major failure.

For our assistance with regards to warranty please email to [support@simplecom.com.au](mailto:support@simplecom.com.au) or create a support ticket at <http://www.simplecom.com.au>

© Simplecom Australia All Rights Reserved. Simplecom is a registered trademark of Simplecom Australia Pty Ltd. All other trademarks are property of their respective owner. Specifications and external appearance are subject to change without notice. Warranty and technical support covering this product are only valid in the country or region of purchase.

[www.simplecom.com.au](http://www.simplecom.com.au) [support@simplecom.com.au](mailto:support@simplecom.com.au)

- Part Number: CHU810
- EAN: 9350414002918
- Model Number: TDX48-1204000A
- Casing Material: Aluminium
- Input: USB 3.2 Gen 1 Type A (USB 3.0)
- Outputs: USB 3.2 Gen 1 Type A (USB 3.0) x10
- Data Rate: SuperSpeed 5Gbps, backward compatible
- Power Input: 100-240V, 50/60hz
- Total Power Output: 48W (12V4A)
- USB Power Output: up to 0.9A each port (6x Blue USB Port), up to 1.5A each port (4x Red USB Ports)
- Fast Charging Protocol: BC 1.2 on 4x Red USB Ports

- Part Number: CHU810
- EAN: 9350414002918
- Model Number: TDX48-1204000A
- Casing Material: Aluminium
- Input: USB 3.2 Gen 1 Type A (USB 3.0)
- Outputs: USB 3.2 Gen 1 Type A (USB 3.0) x10
- Data Rate: SuperSpeed 5Gbps, backward compatible
- Power Input: 100-240V, 50/60hz
- Total Power Output: 48W (12V4A)
- USB Power Output: up to 0.9A each port (6x Blue USB Port), up to 1.5A each port (4x Red USB Ports)
- Fast Charging Protocol: BC 1.2 on 4x Red USB Ports